

Gasoline containing up to 10% ethanol (E10) is acceptable for use in this machine. The use of any gasoline exceeding 10% ethanol (E10) will void the product warranty.

Parts Manual

RZ3016 / 966612302



Please read the operator manual carefully and make sure you understand the instructions before using the machine.

When you need spare parts or support in service questions, warranty issues, etc., please consult the following professional:

This Parts Manual belongs to the machine with the manufacturing number:	Engine	Transmission
---	--------	--------------

Manufacturing Number

The machine's manufacturing number can be found on the printed plate affixed to the engine compartment. Illustration shown with engine removed.

Stated on the plate, from the top are:

- The machine's type designation (I.D.).
- The manufacturer's type number (Model).
- The machine's serial number (Serial no.)

Please have the type designation and serial number available when ordering spare parts.

The engine's manufacturing number is stamped on one of the valve covers.

The plate states:

- The engine's model.
- The engine's type.
- Code

Please have these available when ordering spare parts.

The wheel motors and hydrostatic pumps have a barcode decal affixed at the rear.

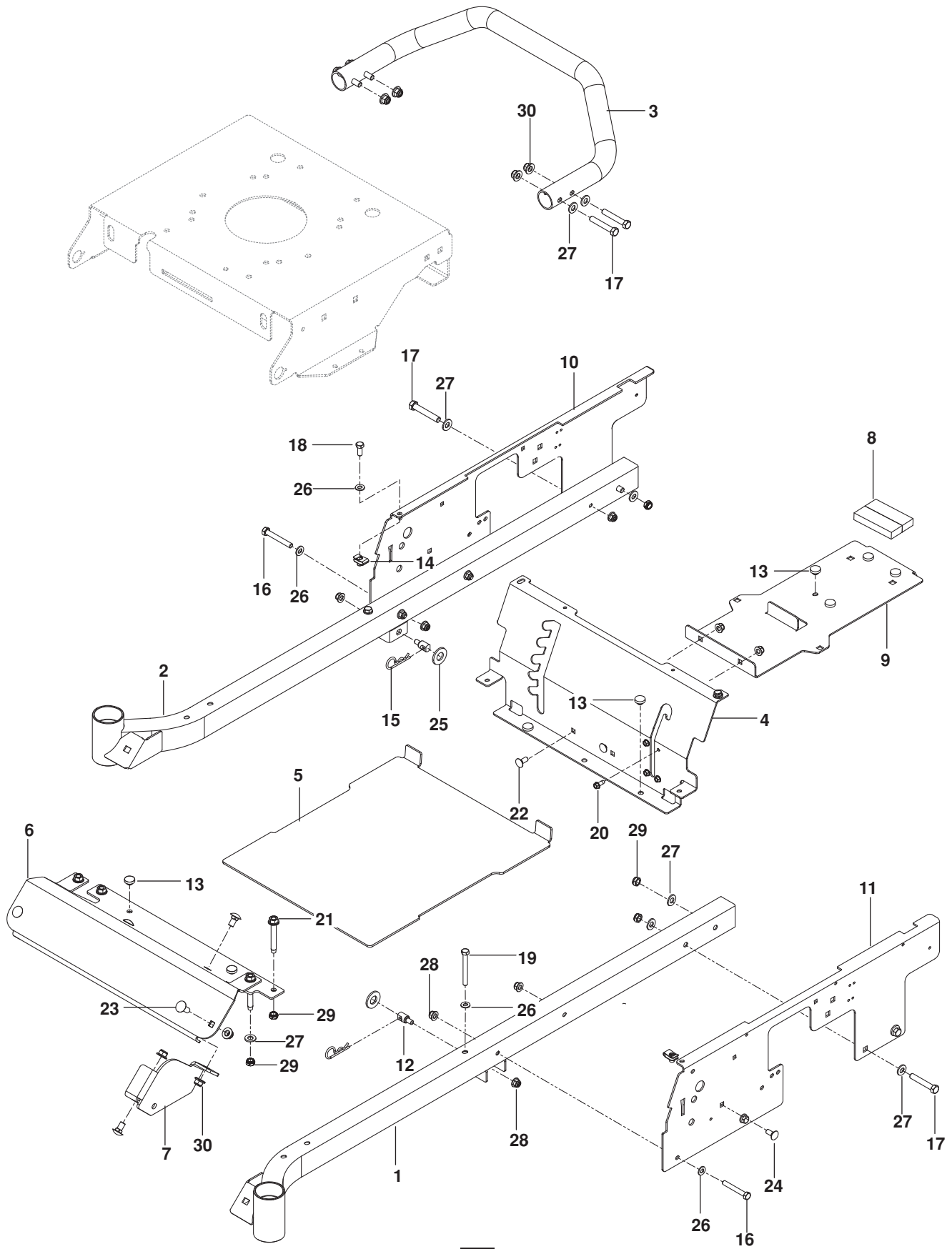
Accessories Available	
Collection System.....	966 476901
Mulch Kit.....	960 170025

CONTENTS

FRAME.....	4
ENGINE PLATE.....	6
STEERING	8
IGNITION SYSTEM.....	10
HYDRAULIC PUMP / MOTOR	12
WHEELS / TIRES	14
BRAKE / DECK LIFT	16
MOWER DECK / CUTTING DECK.....	18
SEAT	20
DECALS.....	22
ACCESSORIES	
BAGGER	24
MOUNTS, CHUTES, WEIGHTS.....	26
MULCH KIT	28

NOTE: ALL FASTENERS ARE GRADE 5 UNLESS OTHERWISE SPECIFIED.

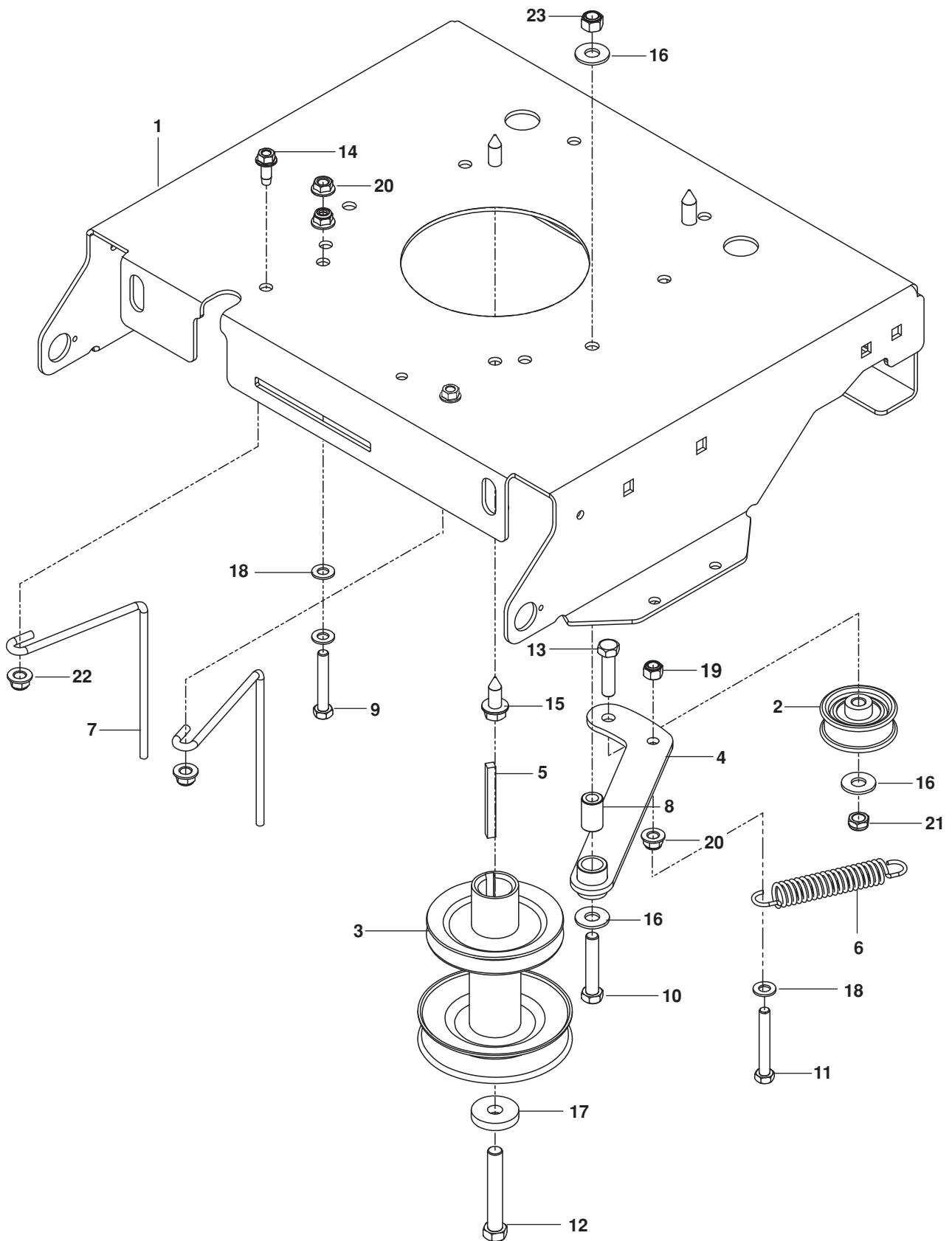
FRAME



FRAME

ITEM	PART NO.	QTY.	DESCRIPTION	ITEM	PART NO.	QTY.	DESCRIPTION
1..	525 454702....	1FRAME TUBE, LT ORG	16..	874 780536....	4HCS $5/16$ -18 x $2\frac{1}{4}$
2..	525 454902....	1FRAME TUBE, RT ORG	17..	874 780636....	8HCS $3/8$ -16 x $2\frac{1}{4}$
3..	525 865902....	1BAR, IMPACT ORG	18..	874 780512....	2HCS $5/16$ -18 x $3/4$
4..	575 852102....	1PANEL, SEAT SUPPORT ORG	19..	874 780544....	2HCS $5/16$ -18 x $2\frac{3}{4}$
5..	576 452401....	1FOOT PLATE w/DECALS ORG	20..	817 490410....	4SCREW $1/4$ -20 x $5/8$ SLF TAP
6..	525 835902....	1FOOT REST ORG	21..	874 490644....	4HHFS $3/8$ -16 x $2\frac{3}{4}$
7..	525 605502....	1BRACKET, FRONT DECK BLK	22..	872 140506....	2RHSNB $5/16$ -18 x $3/4$
8..	539 110290....	2FOAM STRIP	23..	872 140608....	2RHSNB $3/8$ -16 x 1
9..	525 798402....	1SUPPORT, TANK BLK	24..	872 140606....	2RHSNB $3/8$ -16 x $3/4$
10..	575 328402....	1PLATE, RT ORG	25..	819 212113....	2WASHER $5/8$ SAE FLT
11..	575 328302....	1PLATE, LT ORG	26..	819 111116..	10WASHER $5/16$ SAE FLT
12..	532 195161....	2STUD w/ ANTI-ROTATE	27..	819 131316..	16WASHER $3/8$ SAE FLT
13..	539 102587....	8GROMMET, BUMPER	28..	539 112899....	4NUT $5/16$ -18 HEX FLG NYLOC
14..	539 104763....	2RETAINER, U TYPE	29..	539 200282....	8NUT $3/8$ -16 HEX JAM NYLOC
15..	539 976989....	2HAIRPIN	30..	521 996501....	7NUT $3/8$ -16 HEX FLG NYLOC

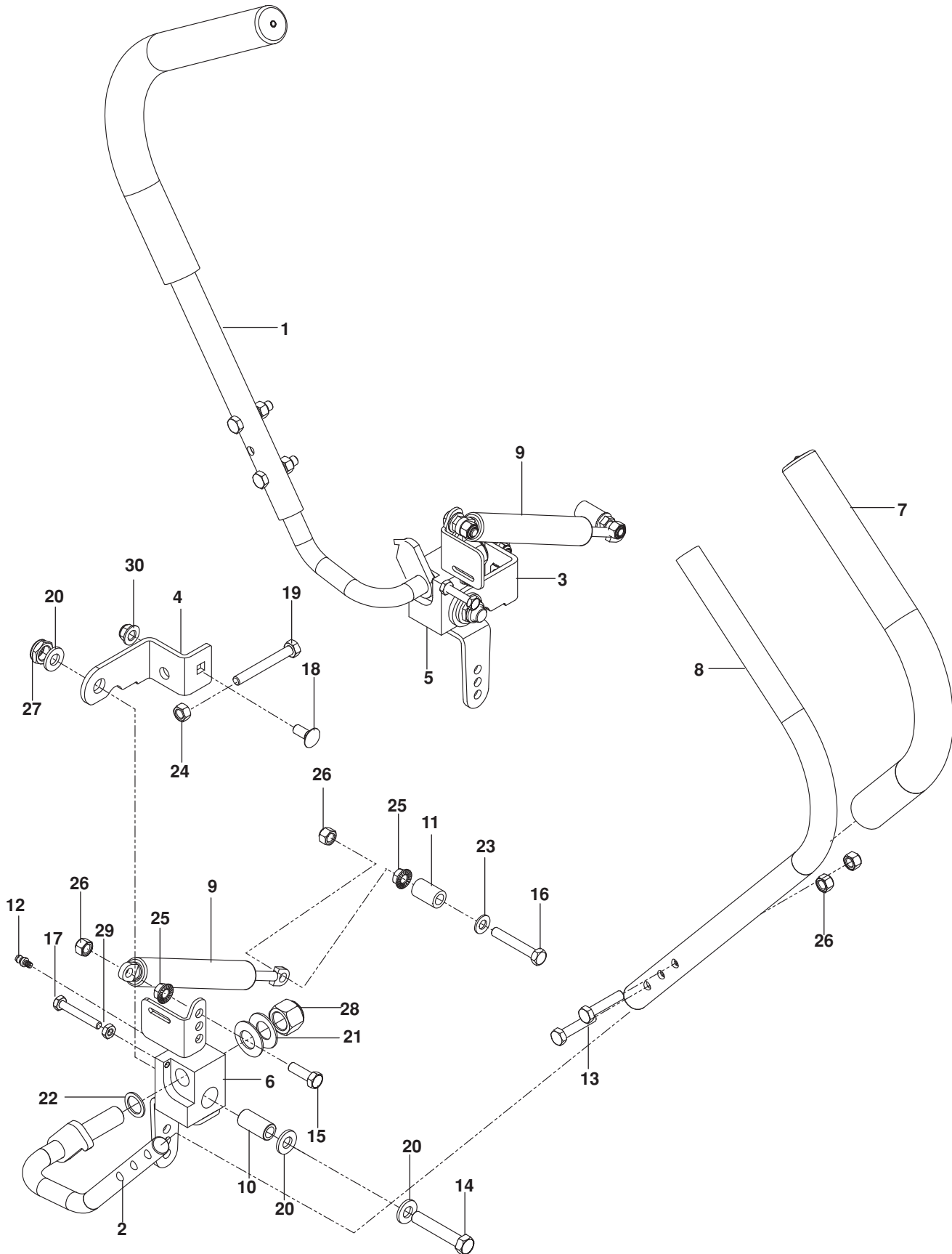
ENGINE PLATE



ENGINE PLATE

ITEM	PART NO.	QTY.	DESCRIPTION	ITEM	PART NO.	QTY.	DESCRIPTION
1..	525 462606....	1PLATE, ENGINE ORG	13..	874 780624....	1HCS $\frac{3}{8}$ -16 x 1 $\frac{1}{2}$
2..	539 120812....	1PULLEY, IDLER	14..	817 490616....	2BOLT $\frac{3}{8}$ -16 x 1 THD FRM
3..	574 872801....	1PULLEY, ENGINE	15..	817 120616....	3SCREW $\frac{3}{8}$ -16 x 1 THD FRM
4..	539 120990....	1IDLER, BLK	16..	819 141614....	3WASHER $\frac{3}{8}$ FLAT STD
5..	539 917033....	1KEY $\frac{1}{4}$ SQ x 2 $\frac{1}{2}$ LG	17..	539 115546....	1WASHER
6..	539 116350....	1SPRING 3 $\frac{1}{2}$	18..	819 111116....	3WASHER $\frac{5}{16}$ SAE FLAT
7..	574 172901....	2GUIDE, BELT	19..	873 800500....	1NUT $\frac{5}{16}$ -18 HEX NYLOC
8..	539 115270....	1BUSHING, METAL	20..	539 990585....	3NUT $\frac{5}{16}$ -18 HEX WHIZLK
9..	539 108395....	1HCS $\frac{5}{16}$ -18 x 2	21..	539 200282....	1NUT $\frac{3}{8}$ -16 HEX JAM NYLOC
10..	874 780632....	1HCS $\frac{3}{8}$ -16 x 2	22..	521 996501....	2NUT $\frac{3}{8}$ -16 HEX FLG NYLOC
11..	874 780536....	1HCS $\frac{5}{16}$ -18 x 2 $\frac{1}{4}$	23..	539 976979....	1NUT $\frac{3}{8}$ -16 HEX NYLOC
12..	539 110065....	1HCS $\frac{7}{16}$ -20 x 2 $\frac{3}{4}$				

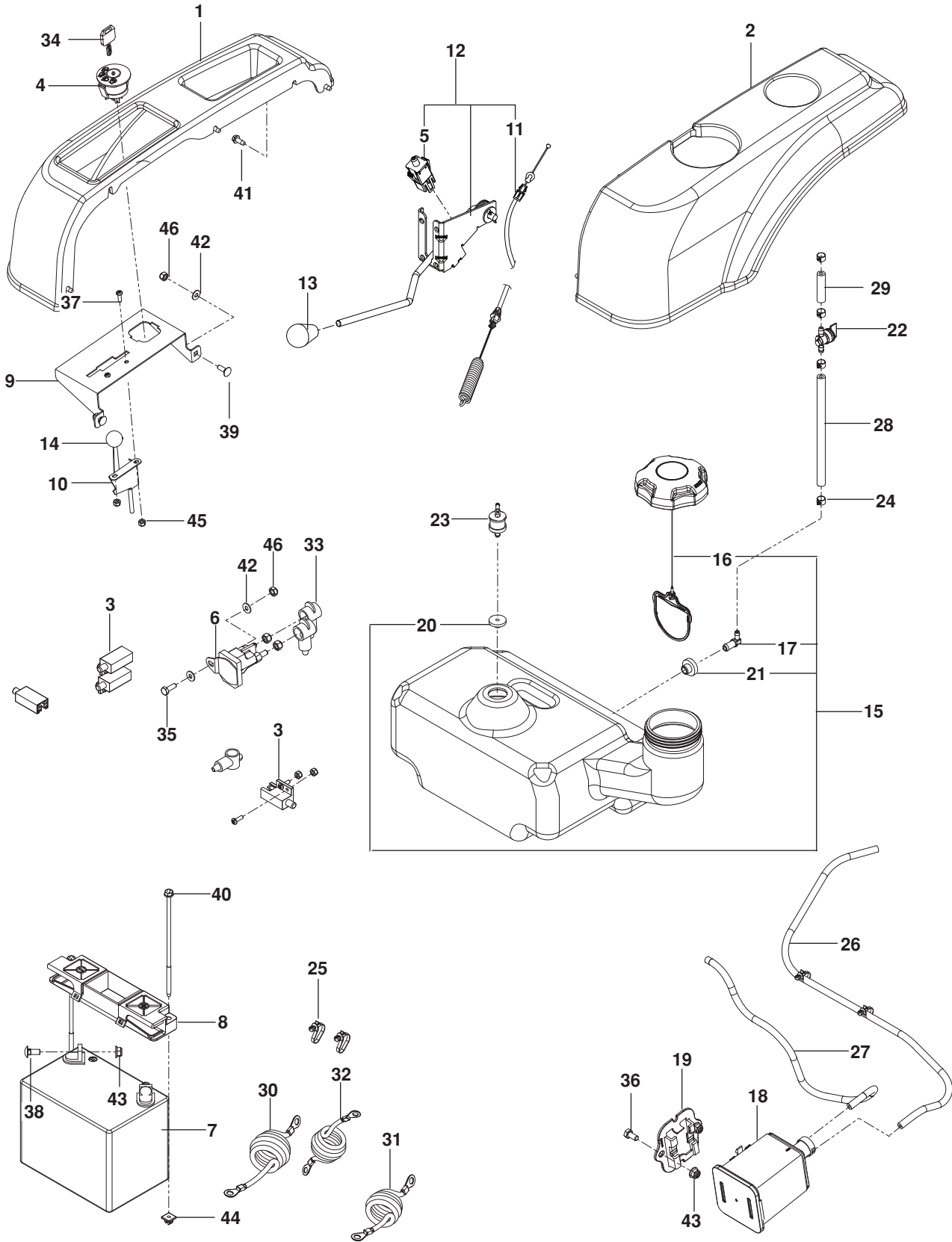
STEERING



STEERING

ITEM	PART NO.	QTY.	DESCRIPTION	ITEM	PART NO.	QTY.	DESCRIPTION
1..	539 120159....	1 LOWER LEVER, RT	16..	539 108395....	2 HCS $\frac{5}{16}$ -18 x 2
2..	539 120162....	1 LOWER LEVER, LT	17..	874 780428....	2 HCS $\frac{1}{4}$ -20 x $1\frac{3}{4}$
3..	539 117949....	1 STOP, STEER CNTRL RT	18..	872 140506....	2 RHSNB $\frac{5}{16}$ -18 x $\frac{3}{4}$
4..	539 117950....	1 STOP, STEER CNTRL LT	19..	874 780540....	2 HCS $\frac{5}{16}$ -18 x $2\frac{1}{2}$ TPBLT
5..	539 120984....	1 PIVOT, RT	20..	819 171713....	6 WASHER $\frac{1}{2}$ SAE
6..	539 120983....	1 PIVOT, LT	21..	539 911121....	4 WASHER $\frac{5}{8}$ BELLEVILLE
7..	539 120899....	2 GRIP	22..	539 115570....	2 WASHER, SPECIAL
8..	539 120160....	2 LEVER, UPPER	23..	819 111116....	2 WASHER $\frac{5}{16}$ SAE FLT
9..	539 114453....	2 DAMPENER	24..	873 220500....	2 NUT $\frac{5}{16}$ -18 HEX
10..	539 120956....	2 BUSHING $\frac{1}{2}$ ID x $\frac{3}{4}$ OD	25..	539 990585....	2 NUT $\frac{5}{16}$ -18 HEX WHIZLK
11..	539 119087....	2 BUSHING	26..	873 800500....	8 NUT $\frac{5}{16}$ -18 HEX NYLOC
12..	539 115638....	2 ZERK	27..	539 108010....	2 NUT $\frac{1}{2}$ -13 JAM NYLOC GR 2
13..	874 780524....	4 HCS $\frac{5}{16}$ -18 x $1\frac{1}{2}$	28..	539 110340....	2 NUT $\frac{5}{8}$ -11 NYLOC
14..	874 780844....	2 HCS $\frac{1}{2}$ -13 x $2\frac{3}{4}$	29..	873 350400....	2 NUT $\frac{1}{4}$ -20 JAM
15..	874 780516....	2 HCS $\frac{5}{16}$ -18 x 1	30..	539 112899....	2 NUT $\frac{5}{16}$ -18 HEX FLG NYLOC

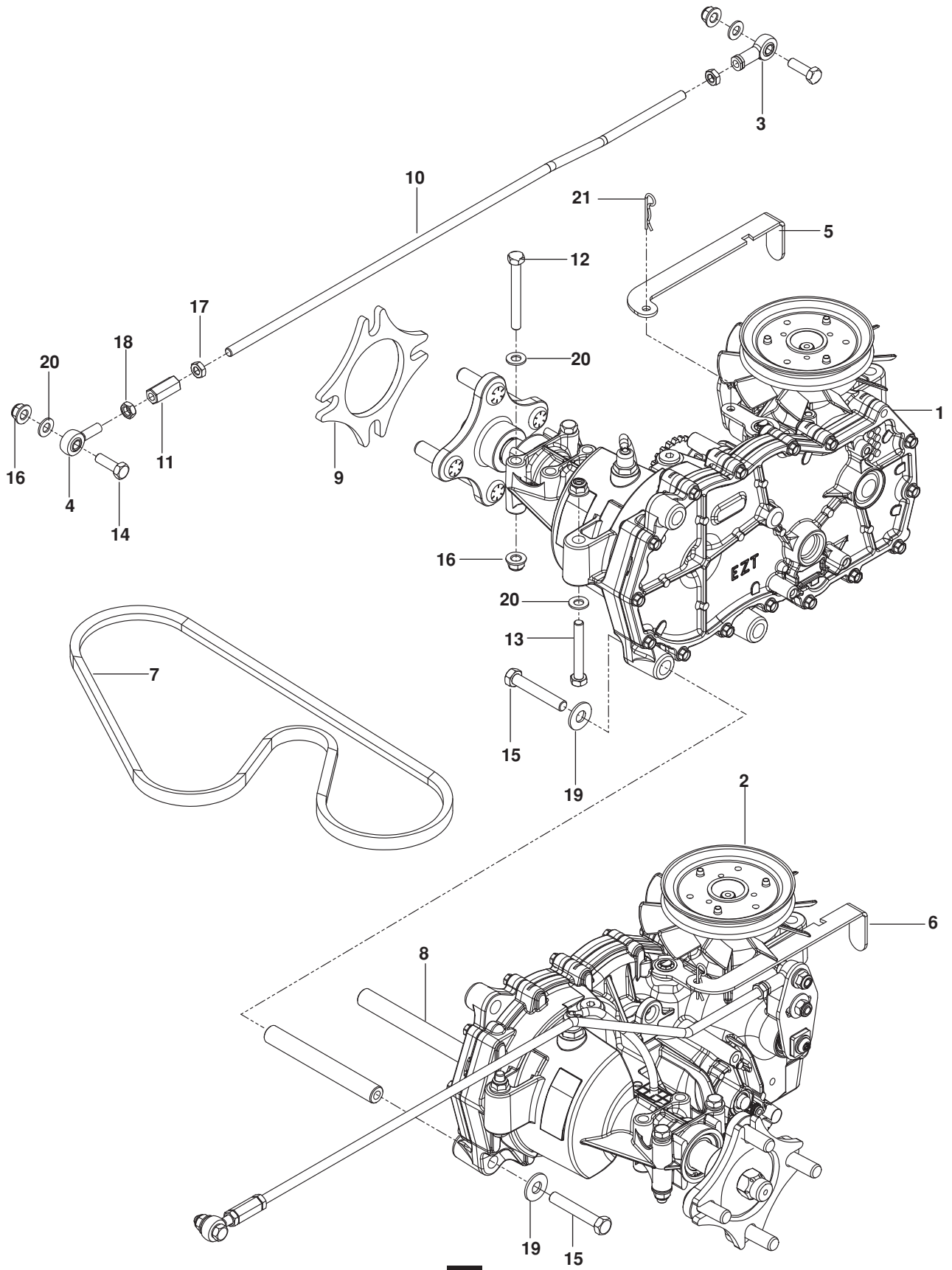
IGNITION SYSTEM



IGNITION SYSTEM

ITEM	PART NO.	QTY.	DESCRIPTION	ITEM	PART NO.	QTY.	DESCRIPTION
1..	525 594701....	1	FENDER, RT	26..	576 660601....	1	HOSE, FUEL $\frac{3}{16}$ x 39"
2..	525 594702....	1	FENDER, LT	27..	574 521305....	1	HOSE, FUEL $\frac{3}{16}$ x 20"
3..	532 109553....	4	SWITCH	28..	539 115736....	1	HOSE $\frac{1}{4}$ x 8
4..	539 107541....	1	SWITCH, IGNITION	29..	539 121486....	1	HOSE, $\frac{1}{4}$ x 2
5..	532 176138....	1	SWITCH, INTERLOCK	30..	539 104974....	1	CABLE, POSITIVE 31"
6..	532 192507....	1	SOLENOID	31..	539 103306....	1	CABLE, POSITIVE 19"
7..	539 102436....	1	BATTERY	32..	539 110068....	1	CABLE, NEGATIVE 25"
8..	539 107628....	1	HOLD DOWN, BATTERY	33..	539 116400....	3	TERMINAL COVER, SM
9..	525 598601....	1	PANEL, CONTROL	34..	539 107544....	1	KEY, IGNITION
10..	585 974901....	1	CABLE, THROTTLE	35..	874 780412....	2	HCS $\frac{1}{4}$ -20 x $\frac{3}{4}$
11..	585 053801....	1	CABLE, CLUTCH	36..	539 108392....	2	HCS $\frac{5}{16}$ -18 x $\frac{5}{8}$
12..	585 057901....	1	CLUTCH ASSY w/ CABLE	37..	874 490410....	9	SCREW #10-24 x $\frac{5}{8}$
13..	539 132624....	1	KNOB, CLUTCH	38..	872 140506....	2	RHSNB $\frac{5}{16}$ -18 x $\frac{3}{4}$
14..	539 133049....	1	KNOB	39..	872 110406....	2	RHSNB $\frac{1}{4}$ -20 x $\frac{3}{4}$ GR 2
15..	576 646403....	1	TANK ASSY, FUEL	40..	532 145211....	2	BOLT $\frac{1}{4}$ x 7 $\frac{1}{2}$
16..	575 018101....	1	CAP, FUEL w/ TETHER	41..	539 976952..	10	SCREW $\frac{1}{4}$ -20 x $\frac{5}{8}$ SLF TAP
17..	539 110432....	1	ELBOW	42..	819 091016....	3	WASHER $\frac{1}{4}$ FLT SAE
18..	532 414114....	1	CANISTER, CARBON	43..	539 112899....	4	NUT $\frac{5}{16}$ -18 HEX FLG NYLOC
19..	575 242701....	1	BRACKET, CANISTER	44..	539 107629....	2	NUT $\frac{1}{4}$ PUSH NYLON
20..	576 618201....	1	GROMMET	45..	539 976977..	10	NUT #10-24 HEX NYLOC
21..	539 105245....	1	GROMMET	46..	873 800400....	5	NUT $\frac{1}{4}$ -20 HEX NYLOC
22..	539 916325....	1	VALVE, FUEL	NOT SHOWN			
23..	576 618101....	1	VALVE, FUEL CHECK	585 507101....	1	WIRING HARNESS	
24..	532 123487....	4	CLAMP, HOSE				
25..	505 280001....	4	WIRE TIE w/ CLIP				

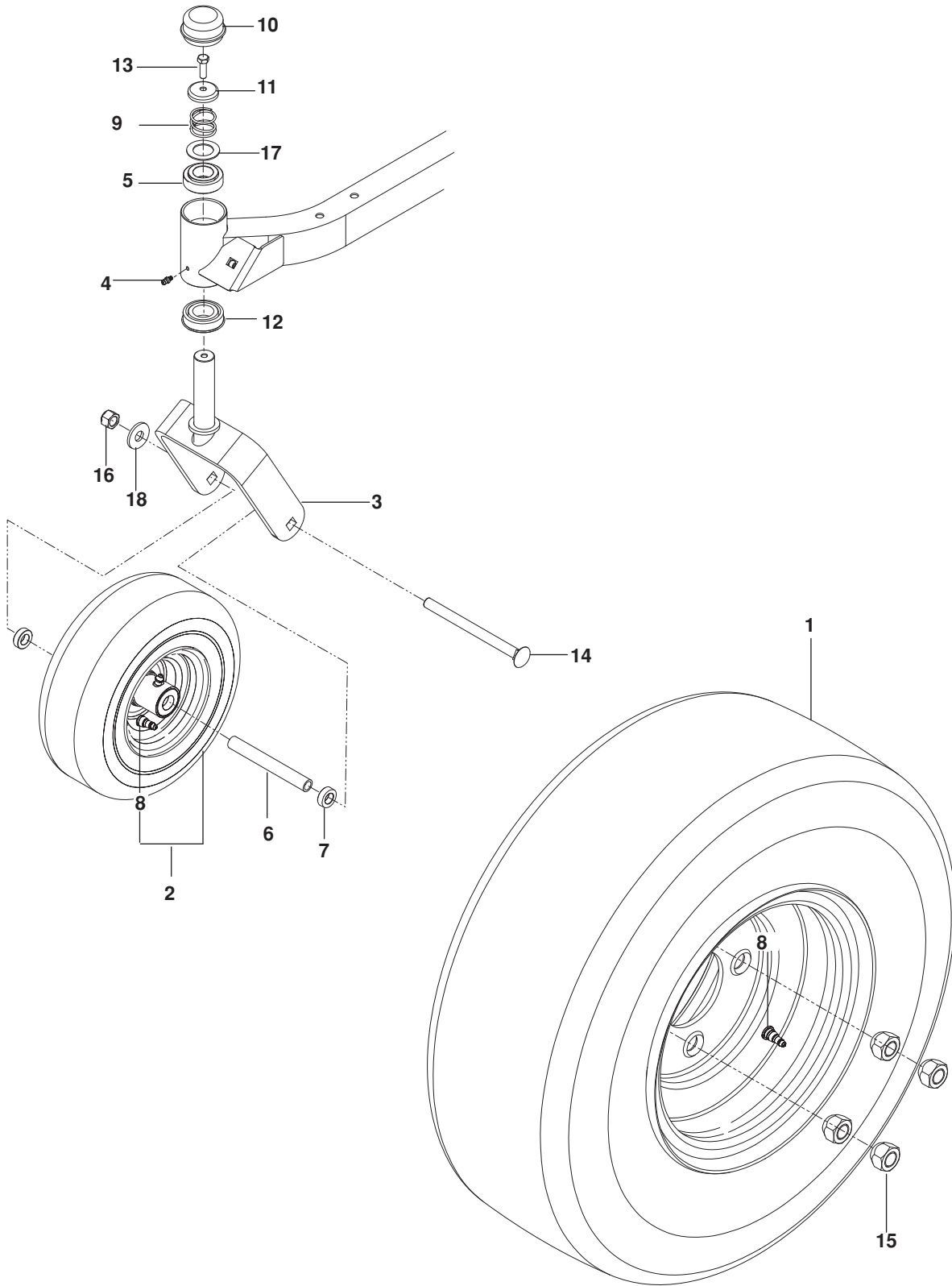
HYDRAULIC PUMP / MOTOR



HYDRAULIC PUMP / MOTOR

ITEM	PART NO.	QTY.	DESCRIPTION	ITEM	PART NO.	QTY.	DESCRIPTION
1..	539 120152....1	HYDRO, RH	12..	874 780544....4	HCS $\frac{5}{16}$ -18 x 2 $\frac{3}{4}$
2..	539 120153....1	HYDRO, LH	13..	874 780536....2	HCS $\frac{5}{16}$ -18 x 2 $\frac{1}{4}$
3..	539 115729....2	ROD END, RH	14..	874 780516....4	HCS $\frac{5}{16}$ -18 x 1
4..	539 116690....2	ROD END, MALE LH	15..	874 780636....4	HCS $\frac{3}{8}$ -16 x 2 $\frac{1}{4}$
5..	539 120157....1	RELEASE HANDLE, RH	16..	539 112899..10	NUT $\frac{5}{16}$ -18 HEX FLG NYLOC
6..	539 120156....1	RELEASE HANDLE, LH	17..	873 360500....4	NUT $\frac{5}{16}$ -24 HEX JAM
7..	539 120806....1	BELT, EZT	18..	873 700500....2	NUT $\frac{5}{16}$ -24 HEX JAM LH
8..	539 120154....2	SPACER, HYDRO	19..	819 141614....4	WASHER $\frac{3}{8}$ STD FLT
9..	539 114804....2	SPACER, WHEEL	20..	819 111116..10	WASHER $\frac{5}{16}$ SAE FLT
10..	539 120169....2	ROD, CONTROL	21..	539 976988....2	HAIRPIN COTTER
11..	539 116689....2	ROD END COUPLER				

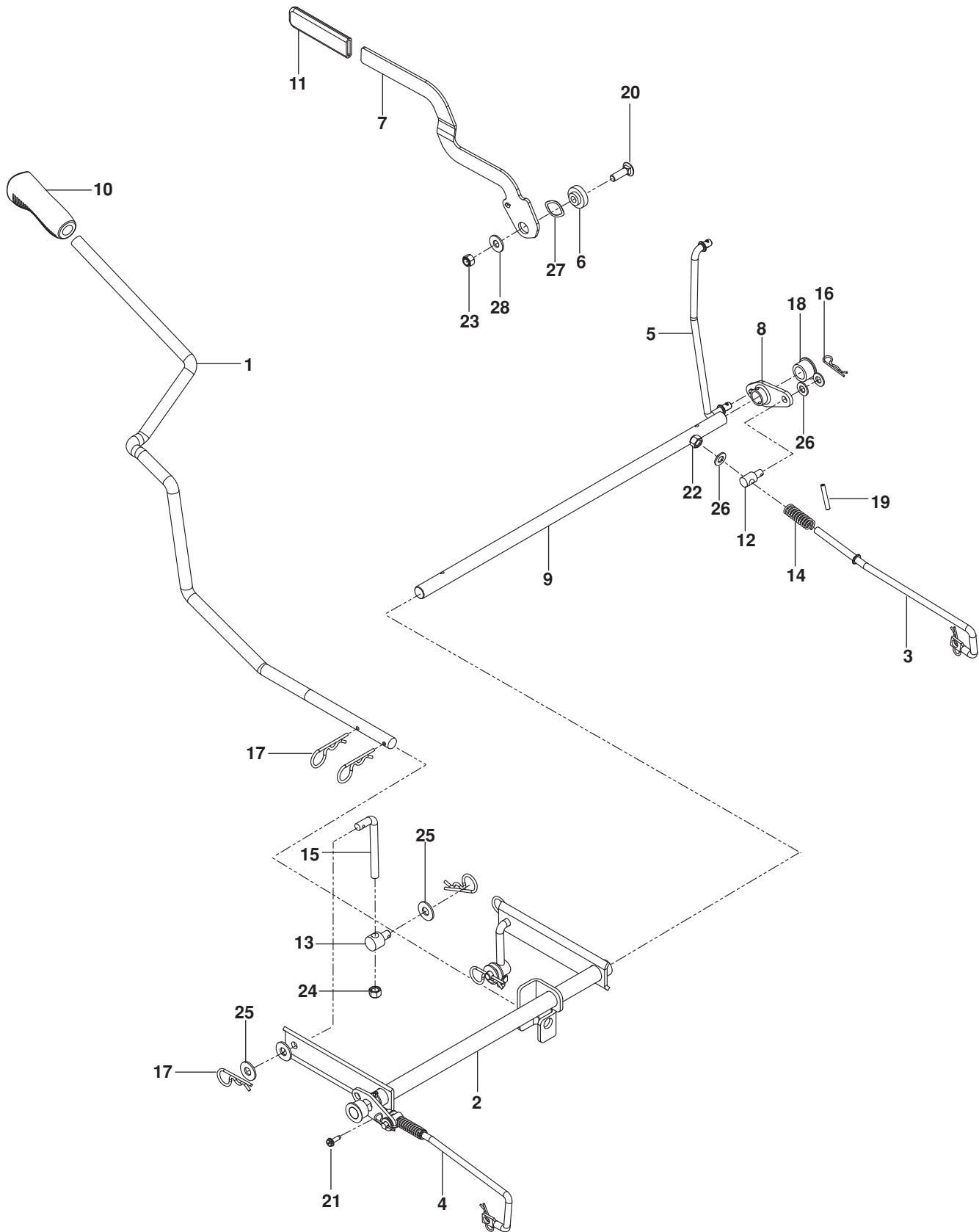
WHEELS / TIRES



WHEELS / TIRES

ITEM	PART NO.	QTY.	DESCRIPTION	ITEM	PART NO.	QTY.	DESCRIPTION
1..	581 199001....2	WHEEL ASSY REAR	10..	539 102535....2	CAP, GREASE
2..	581 199701....2	CASTER TIRE ASSY	11..	539 115749....2	PLUG, CASTER
3..	510 186501....2	YOKE, CASTER ORG	12..	539 112660....2	BEARING, FLANGED
4..	539 115638....2	ZERK	13..	874 950516....2	HHB $\frac{5}{16}$ -18 x 1 NYLOC
5..	539 117901....2	BUSHING, CASTER	14..	721 408104....2	RHSNB $\frac{1}{2}$ -13 x $6\frac{1}{2}$
6..	584 653101....2	SPACER	15..	539 101173....8	NUT $\frac{1}{2}$ -20 LUG
7..	581 269201....4	SPACER $\frac{5}{16}$	16..	873 930800....2	NUT $\frac{1}{2}$ HEX CNTRLK
8..	539 912234....4	VALVE	17..	539 115675....2	WASHER
9..	539 115747....2	SPRING, CASTER	18..	819 182212....2	WASHER $\frac{1}{2}$ FLAT

BRAKE / DECK LIFT



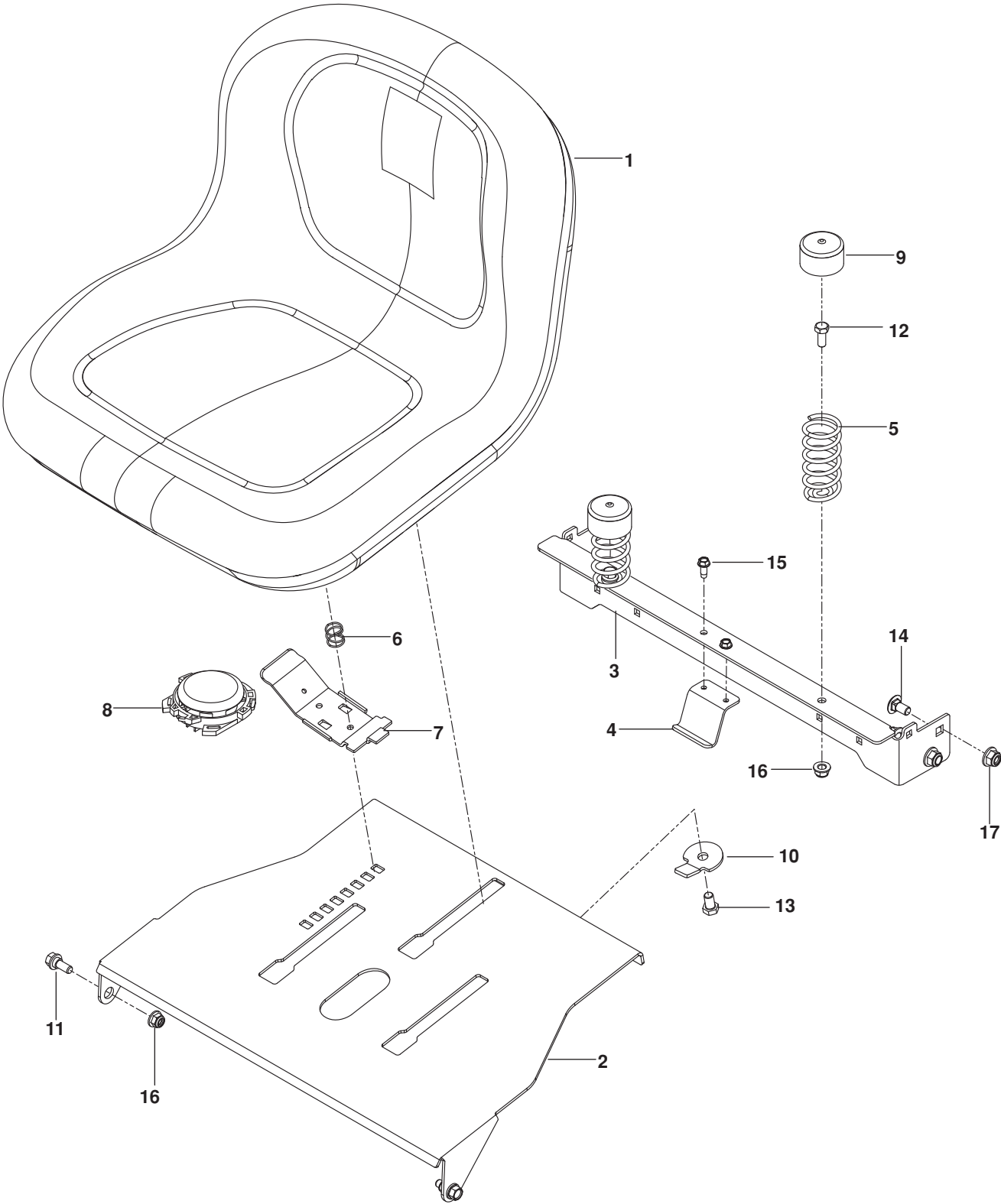
BRAKE / DECK LIFT

ITEM	PART NO.	QTY.	DESCRIPTION	ITEM	PART NO.	QTY.	DESCRIPTION
1..	525 580402....	1	ARM, LIFT BLK	15..	539 115658....	2	L-ROD 3/2"
2..	525 580604....	1	SHAFT, LIFT BLK	16..	539 976988....	4	HAIRPIN COTTER
3..	525 583601....	1	LINKAGE, BRAKE RT	17..	539 976989....	6	HAIRPIN
4..	525 583701....	1	LINKAGE, BRAKE LT	18..	539 109368....	2	BUSHING, PLASTIC
5..	525 735701....	1	LINKAGE, UPPER	19..	539 101082....	2	PIN 3/16 x 1 1/4 ROLL
6..	539 120220....	1	PIVOT, BRAKE ARM	20..	872 140610....	1	RHSNB 3/8-16 x 1 1/4
7..	525 485602....	1	HANDLE, BRAKE	21..	539 991034....	2	SCREW #10-24 X 5/8 WSH HD
8..	525 580201....	2	BELLCRANK, BRAKE	22..	873 800500....	2	NUT 5/16-18 HEX NYLOC
9..	525 580301....	1	ROD, BRAKE	23..	539 200282....	1	NUT 3/8-16 HEX JAM NYLOC
10..	532 445060....	1	GRIP, LIFT HANDLE	24..	539 976979....	2	NUT 3/8-16 HEX NYLOC
11..	539 120921....	1	GRIP, BRAKE HANDLE	25..	819 141614....	6	WASHER 3/8 FLAT STD
12..	539 112308....	2	SWIVEL, BRAKE	26..	819 111116....	6	WASHER 5/16 SAE FLAT
13..	539 118179....	2	SWIVEL	27..	539 133007....	1	WASHER, .825 WAVE
14..	539 101224....	2	SPRING	28..	539 102843....	1	WASHER 7/16 SPRING DISK

MOWER DECK / CUTTING DECK

ITEM	PART NO.	QTY.	DESCRIPTION	ITEM	PART NO.	QTY.	DESCRIPTION
1..	574 453401....	1 DECK w/ SAFETY DECALS	27..	532 415598....	1 PORT, WASHOUT
2..	532 199791....	1 PULLEY, MANDREL	28..	539 976988....	1 HAIRPIN COTTER
3..	532 175820....	1 PULLEY, IDLER	29..	539 976989....	2 HAIRPIN
4..	539 110311....	1 PULLEY, DECK IDLER	30..	539 110736....	1 PIN, CLEVIS ⁵ / ₁₆
5..	532 173902....	1 IDLER, V-GROOVE	31..	532 165898....	1 RETAINER
6..	573 970402....	1 COVER, PULLEY	32..	539 990701....	1 BOLT ³ / ₈ -16 x 1 ³ / ₄ WHIZLK
7..	532 400140....	1 KEEPER, BELT	33..	539 113621....	2 BOLT ³ / ₈ -16 x ³ / ₈ SKT HD
8..	532 420253....	2 KEEPER, BELT	34..	817 490624....	1 BOLT ³ / ₈ -16 x 1 ¹ / ₂ THD FRM
9..	525 851801....	1 GUIDE, BELT	35..	532 173984....	4 SCREW ⁵ / ₁₆ -18 WASHER HD
10..	585 053902....	1 ARM, IDLER BLK	36..	817 490408....	3 SCREW ¹ / ₄ -20 x ¹ / ₂ THDROLL
11..	532 199470....	1 ARM, LT BRAKE	37..	874 780632....	1 HCS ³ / ₈ -16 x 2
12..	532 419274....	1 BLADE, MOWER/MULCH	38..	525 848601....	1 RHSNB ³ / ₈ -16 x 4
13..	581 514301....	1 SWIVEL	39..	872 110505....	2 RHSNB ⁵ / ₁₆ -18 x ⁵ / ₈
14..	532 110485....	1 BEARING, BALL	40..	532 193003....	1 BOLT/WASHER
15..	532 192557....	1 BRACKET, DEFLECTOR	41..	573 975201....	1 NUT ⁷ / ₁₆ -20 HEX NYLOC
16..	532 195740....	1 LINK, SUSPENSION	42..	532 400234....	1 NUT ⁹ / ₁₆ TOP CNTRLK
17..	532 199092....	1 SPACER RETAINER	43..	539 112899....	2 NUT ⁵ / ₁₆ -18 HEX FLG NYLOC
18..	525 848801....	1 SPACER 2 ¹ / ₄	44..	521 996501....	5 NUT ³ / ₈ -16 HEX FLG NYLOC
19..	532 193216....	1 SPRING, RETURN	45..	873 350600....	1 NUT ³ / ₈ -16 HEX JAM
20..	532 178102....	1 SPRING, TORSION	46..	532 187690....	1 WASHER/SPACER
21..	532 192870....	1 MANDREL	47..	539 109562....	1 WASHER ³ / ₈ x ³ / ₄
22..	532 417344....	1 DEFLECTOR	48..	819 171713....	1 WASHER ¹ / ₂ SAE
23..	532 192872....	1 SHAFT	49..	539 106504....	1 WASHER 1 ³ / ₄ x ¹ / ₄ HEAVY
24..	585 054001....	1 BELT, DECK	50..	819 141614....	2 WASHER ³ / ₈ FLAT STD
25..	532 195185....	2 ARM, DECK SUSPENSION	51..	539 104864....	2 WASHER ⁷ / ₁₆ FLAT
26..	532 416405....	1 COUPLING, QUICK DISC	52..	819 131316....	1 WASHER ³ / ₈ SAE FLT

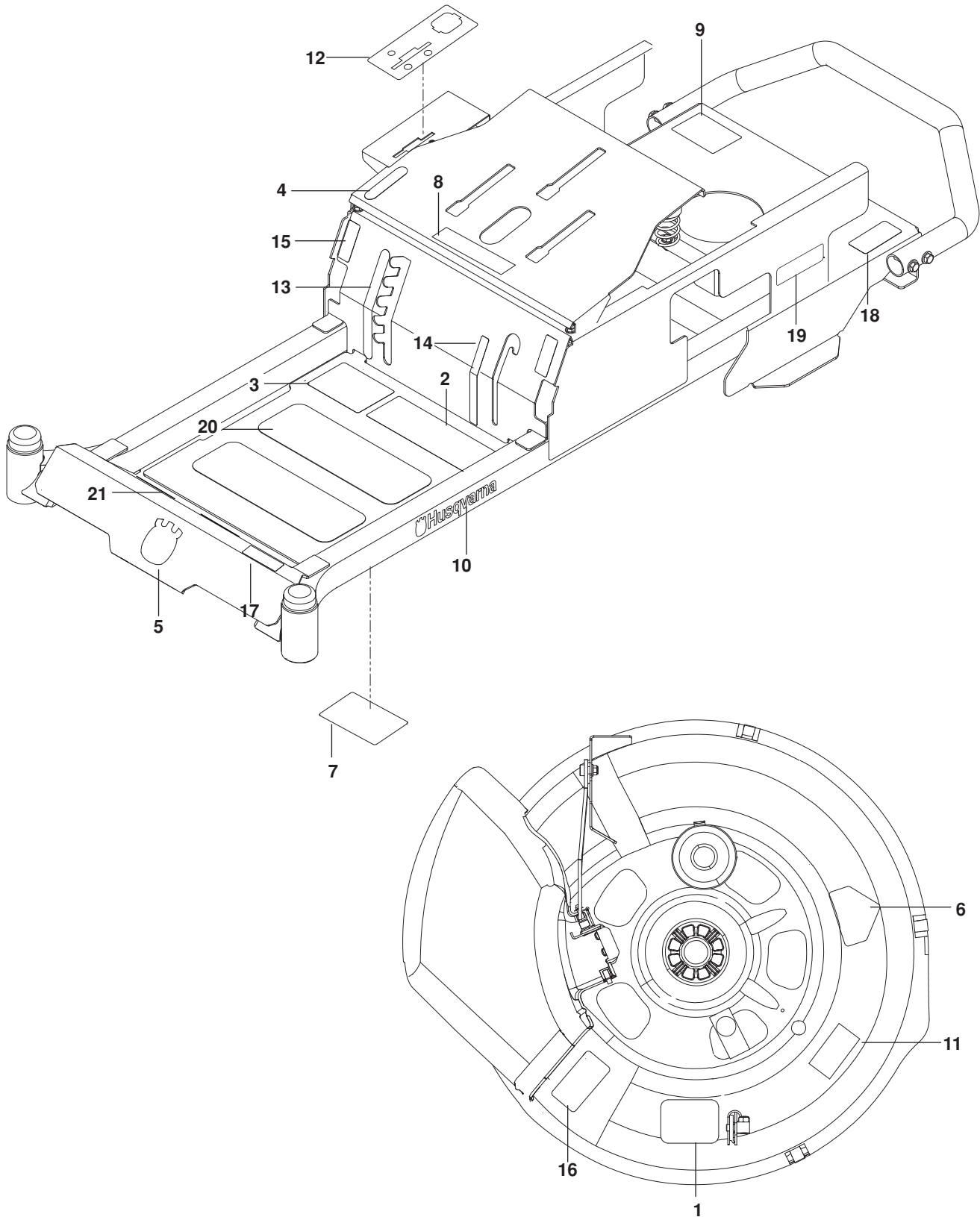
SEAT



SEAT

ITEM	PART NO.	QTY.	DESCRIPTION	ITEM	PART NO.	QTY.	DESCRIPTION
1..	532 439822....	1	SEAT	10..	574 191002....	1	STOP, SEAT BLK
2..	525 580002....	1	PLATE, SEAT ORG	11..	539 110303....	2	BOLT $\frac{5}{16}$ -SHOULDER
3..	525 464602....	1	SUPPORT, REAR SEAT ORG	12..	539 990369....	2	HCS $\frac{5}{16}$ -18 x 1
4..	525 864502....	1	BRACKET, FUEL TANK BLK	13..	874 780610....	1	HCS $\frac{3}{8}$ -16 x $\frac{5}{8}$
5..	539 122632....	2	SPRING, SEAT	14..	872 140606....	4	RHSNB $\frac{3}{8}$ -16 x $\frac{3}{4}$
6..	532 198200....	1	SPRING, SEAT SLIDE	15..	817 490410....	2	SCREW $\frac{1}{4}$ -20 x $\frac{5}{8}$ SLF TAP
7..	532 197661....	1	HANDLE, SEAT SLIDE	16..	539 112899....	4	NUT $\frac{5}{16}$ -18 FLANGE NYLOC
8..	539 119884....	2	CAP, SPRING	17..	521 996501....	3	NUT $\frac{3}{8}$ -16 HEX FLG NYLOC
9..	539 132140....	1	SWITCH, SEAT N/C				

DECALS

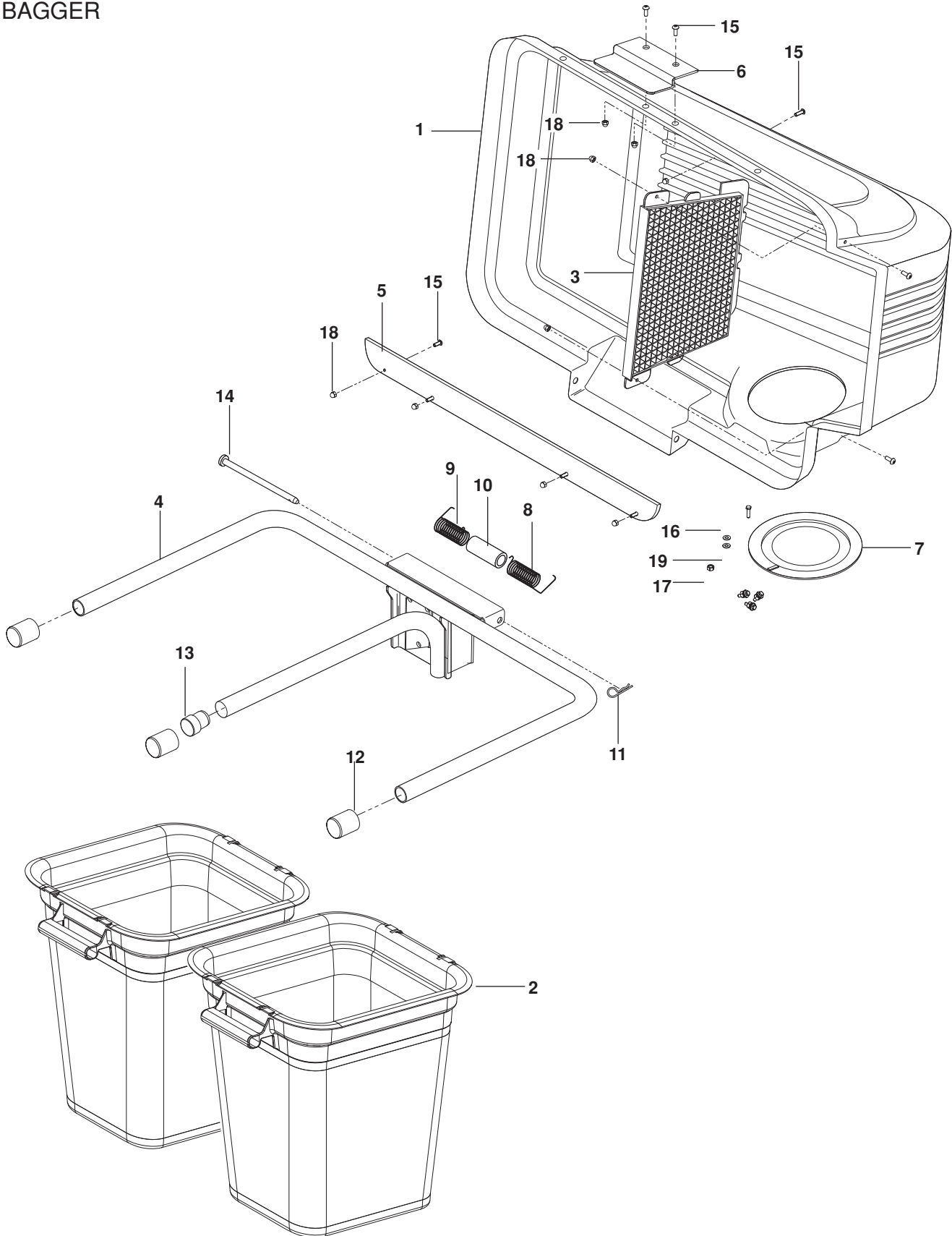


DECALS

ITEM	PART NO.	QTY.	DESCRIPTION	ITEM	PART NO.	QTY.	DESCRIPTION
1..	525 798501....	1 DECAL, BELT ROUTING	12..	585 984901....	1 DECAL, CONTROL PANEL
2..	539 109908....	1 DECAL, SAFETY WARNING	13..	525 814201....	1 DECAL, DECK HEIGHT
3..	586 258401....	1 DECAL, START	14..	525 814301....	1 DECAL, BLADE ENGAGE
4..	539 120006....	1 DECAL, PARK BRAKE	15..	539 103333....	2 DECAL, MOTION CONTROL
5..	532 428676....	1 DECAL, CROWN	16..	581 724401....	1 DECAL, DEFLECT CAUTION
6..	539 913010....	1 DECAL, BLADE WARN	17..	525 803301....	1 DECAL, RZ3016
7..	539 109897....	1 DECAL, SERVICE	18..	539 101881....	1 DECAL, PROP 65
8..	539 105745....	1 DECAL, BATTERY WARNING	19..	532 424102....	1 DECAL, SPARK ARRESTOR
9..	539 108385....	1 DECAL, DO NOT TOW	20..	539 977778....	2 PAD, ABRASIVE
10..	532 429196....	2 DECAL, HUSQVARNA	21..	539 121322....	2 PAD, FOOT
11..	539 105746....	1 DECAL, SEVERING				

ACCESSORIES

BAGGER

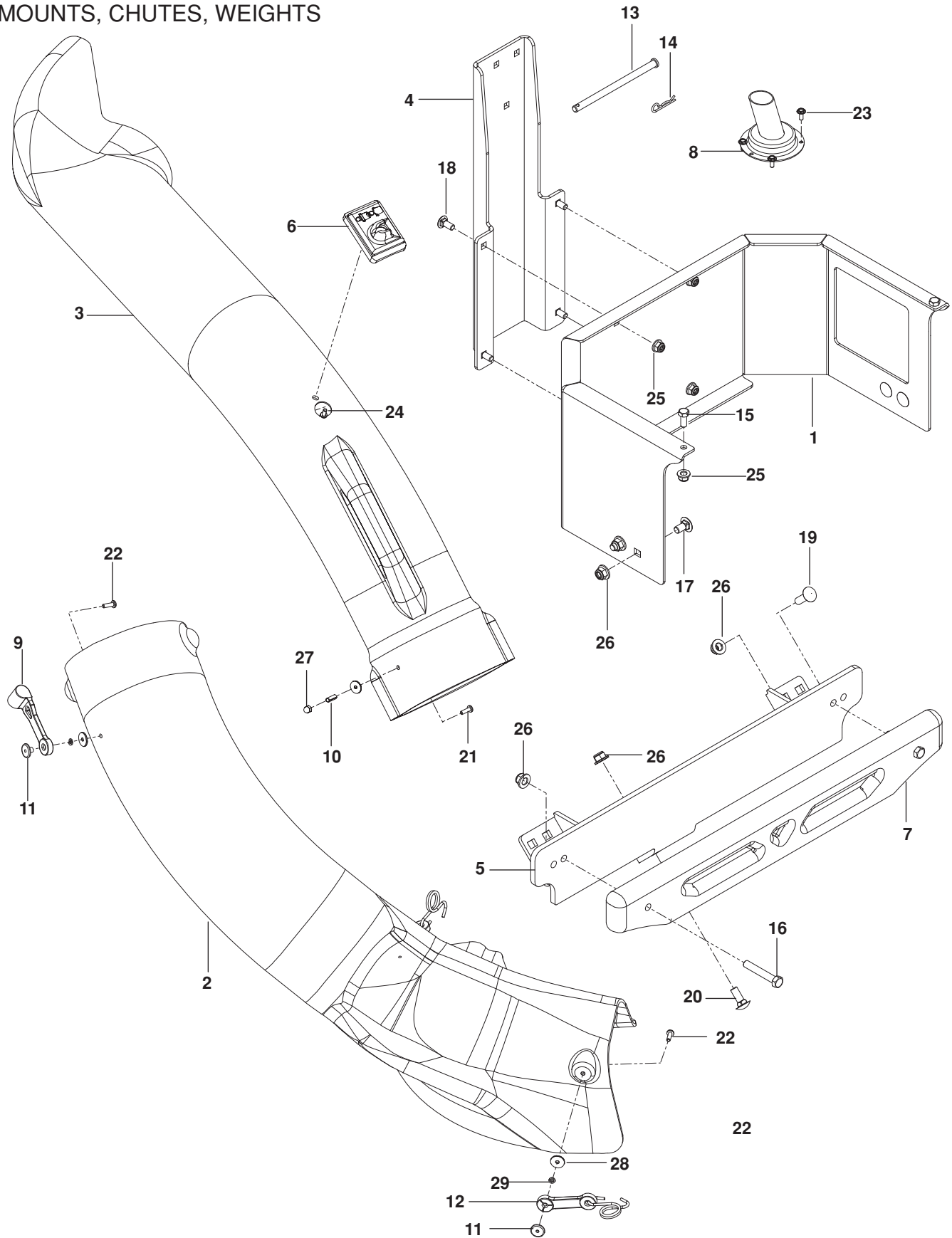


ACCESSORIES

ITEM	PART NO.	QTY.	DESCRIPTION	ITEM	PART NO.	QTY.	DESCRIPTION
1..	539 111139....	1	COVER ASSY, COMPLETE	11..	539 108096....	1	HAIRPIN, RETAINER
2..	532 400226....	2	CONTAINER, SOFT BAG	12..	539 108097....	3	CAP, TUBING END
3..	532 127533....	1	SCREEN, COVER	13..	522 801301....	1	SPACER PLUG
4..	532 179746....	1	BAGGER, FRAME	14..	532 192786....	1	PIN, HINGE
5..	532 155042....	1	STRIP, REINFORCEMENT	15..	539 976952....	9	SCREW #10-24 x 5/8
6..	532 130895....	1	LATCH HANDLE, COVER	16..	539 106312....	4	SCREW #10-24 x 3/4
7..	532 127534....	1	GASKET	17..	539 976977....	4	NUT #10-24 HEX NYLOC
8..	532 132796....	1	SPRING, COVER LH	18..	539 108086....	9	NUT #10-24 ACORN
9..	532 132983....	1	SPRING, COVER RH	19..	539 105408....	8	WASHER #10 FLAT
10..	532 133235....	1	SPACER, COVER				

ACCESSORIES

MOUNTS, CHUTES, WEIGHTS

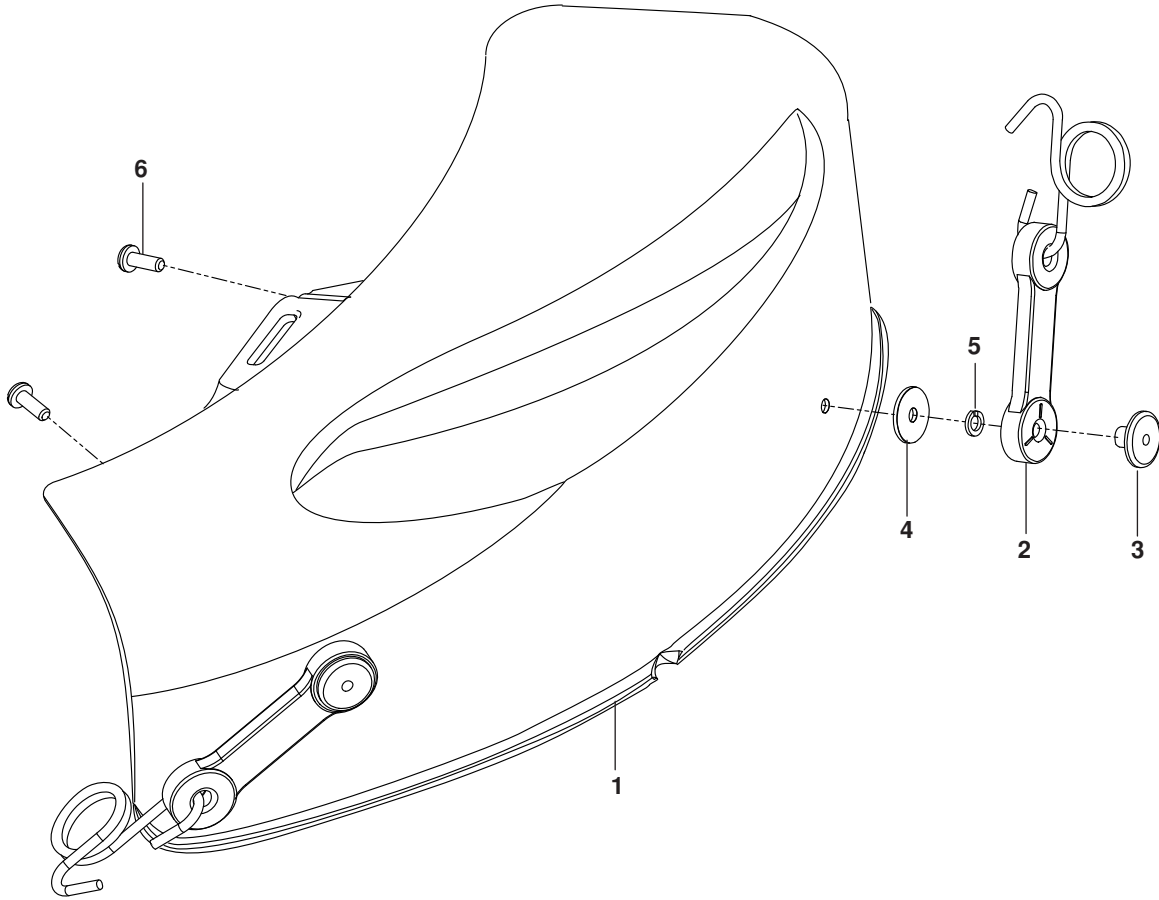


ACCESSORIES

ITEM	PART NO.	QTY.	DESCRIPTION	ITEM	PART NO.	QTY.	DESCRIPTION
1..	574 031003....	1 GUARD, REAR	16..	539 990629....	2 HCS $\frac{3}{8}$ -16 x 2 $\frac{1}{4}$
2..	573 975801....	1 CHUTE, LOWER	17..	539 111785....	4 RHSNB $\frac{3}{8}$ -16 x $\frac{3}{4}$
3..	539 108141....	1 CHUTE, UPPER	18..	539 990316....	4 RHSNB $\frac{5}{16}$ -18 x $\frac{3}{4}$
4..	574 031102....	1 BRACKET, HANGER	19..	539 990645....	1 RHSNB $\frac{3}{8}$ -16 x 1
5..	574 255502....	1 BRACKET, WEIGHT	20..	539 100413....	2 RHSNB $\frac{3}{8}$ -16 x 1 $\frac{1}{4}$
6..	539 108082....	1 BAG INDICATOR	21..	539 108083....	1 SCREW #10- 24 x 1 $\frac{1}{8}$
7..	539 113177....	1 CAST WEIGHT	22..	539 976952....	3 SCREW #10-24 x .625
8..	539 131601....	1 EXTENSION, MUFFLER	23..	539 115537....	4 SCREW, HEX WASHER HD
9..	539 108088....	1 LATCH, HOOD	24..	539 108081....	1 SCREW, SPECIAL #10-14 x $\frac{1}{2}$
10..	539 108085....	1 SPACER, SPLIT	25..	539 112899....	6 NUT $\frac{5}{16}$ -18 HEX FLG NYLOC
11..	539 108089....	3 WELDNUT, PLATED	26..	521 996501....	9 NUT $\frac{3}{8}$ -16 HEX FLG
12..	539 108194....	2 LATCH ASSY	27..	539 108086....	1 NUT #10- 24 ACORN
13..	539 110736....	1 PIN, CLEVIS $\frac{5}{16}$ x 5.19	28..	539 108084....	3 WASHER $\frac{3}{16}$ x $\frac{3}{4}$ x 16 GA
14..	539 976988....	1 COTTER HAIRPIN	29..	539 109552....	3 WASHER $\frac{3}{16}$ LOCK
15..	539 976934....	2 HCS $\frac{5}{16}$ -18 x $\frac{3}{4}$				

ACCESSORIES

MULCH KIT



ACCESSORIES

ITEM	PART NO.	QTY.	DESCRIPTION	ITEM	PART NO.	QTY.	DESCRIPTION
1..	532 421717....1	COVER	4..	819 031216....2	WASHER
2..	532 160793....2	LATCH ASSY	5..	810 071000....2	WASHER LOCK
3..	539 108089....2	WELDNUT, PLATED	6..	871 081010....2	SCREW

